



SUPPLIERS OF PENSTOCKS TO THE WATER INDUSTRY

# *Series WEIR - 30, 40 & 50*

## WALL MOUNTING WEIR PENSTOCKS

### 150mm Square to 2000mm Square Apertures

The series WEIR - 30, 40 & 50 is a high duty range of weir penstocks suitable for the control and isolation of water and sewage. The range of penstocks are provided with side and invert seals for on and off-seating heads up to the top of the door.

#### **Advantages**

- Lightweight design - reduced weight when compared to the cast iron equivalent offers easier handling, installation and reduced civil work
- Low friction seals ensures operator sizes are kept to a minimum significantly reducing operating costs
- Available in corrosion resistant materials:
  - Long Life Performance
  - Low Maintenance Costs
  - No Protective Coatings Required
- Robust construction
- A cost effective solution for on and off-seating weir duty applications



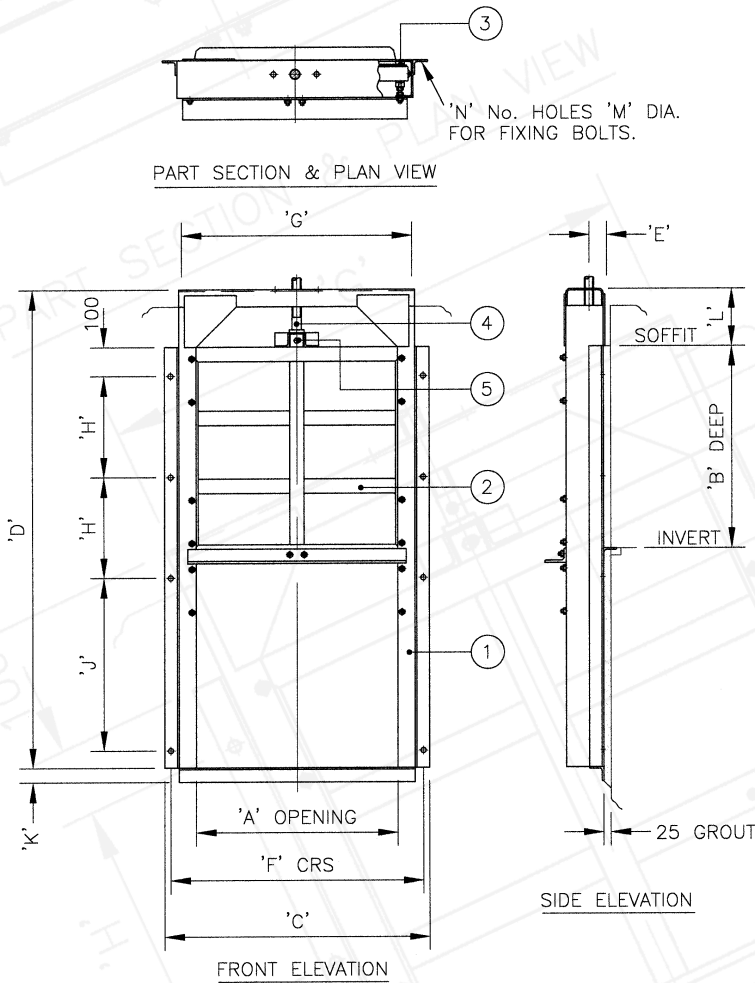
#### **Features**

- On and off-seating heads up to the top of the door
- Adjustable low friction pressure pads to ensure optimum sealing performance
- Thrust transmitting yoke available at top of frame
- Rising or non-rising spindle applications for use with our extensive range of operating equipment
- Meets the requirements of BS7775 and DIN 19569-4 Penstocks Standards

# Specifications

## SERIES WEIR - 30, 40 & 50 WALL MOUNTING WEIR PENSTOCKS

Size Range: 150mm Square to 2000mm Square Apertures



### Operating Duty

Application:	Flow control and isolation
Type of Mounting:	Wall
Type of Media:	Water and Sewage
Operating Head:	Top of door on-seating Top of door off-seating

### Options

Stem Types:	Rising and non-rising
Size Range:	Any size from 150mm to 2000mm in square or rectangular format

### Applicable Standards

BS 7775:1995, Specification for general purpose penstocks

### Construction Materials

ITEM	DESCRIPTION	MATERIAL
1	Frame	Mild Steel, BS 4360 Gr 43A Stainless Steel, BS 970 Gr 304 Stainless Steel, BS 970 Gr 316
2	Door	Mild Steel, BS 4360 Gr 43A Stainless Steel, BS 970 Gr 304 Stainless Steel, BS 970 Gr 316
3	Seals	Low Friction Polyolefin
4	Stem	Stainless Steel, BS 970 Gr 303 Stainless Steel, BS 970 Gr 316
5	Fasteners	Stainless Steel, BS 6105, Gr A4

### Dimensions and Weights

	'A'	'B'	'C'	'D'	'E'	'F'	'G'	'H'	'J'	'K'	'L'	'M'	'N'	WEIGHT (KG)
SERIES 30	150	150	370	560	49	328	270	75	50	50	200	18	8	31
	300	300	520	860	49	478	420	150	200	50	200	18	8	62
	400	400	620	1060	49	578	520	200	300	50	200	18	8	83
	500	500	720	1260	49	678	620	250	400	50	200	18	8	104
	600	600	820	1460	49	778	720	300	500	50	200	18	8	125
	800	800	1020	1860	49	978	920	400	700	50	200	18	8	166
SERIES 40	1000	1000	1240	2370	54	1184	1120	333	890	60	300	22	10	294
	1200	1200	1440	2770	54	1384	1320	400	1090	60	300	22	10	353
SERIES 50	1500	1500	1812	3490	68	1750	1652	375	1380	80	400	27	12	637
	1800	1800	2112	4090	68	2050	1952	450	1680	80	400	27	12	785
	2000	2000	2312	4490	68	2250	2152	500	1880	80	400	27	12	850

The above table illustrates a small section of the size range.  
Any size between 150mm and 2000mm is available on request.



SUPPLIERS OF PENSTOCKS TO THE WATER INDUSTRY

Midland Valves

42 Chaddesley Close | Lodge Park | Redditch | Worcestershire | B98 7ND  
Tel: 01527 517542 | Fax: 01527 518087 | Email: mike@midlandvalves.fsnet.co.uk