



SUPPLIERS OF PENSTOCKS TO THE WATER INDUSTRY

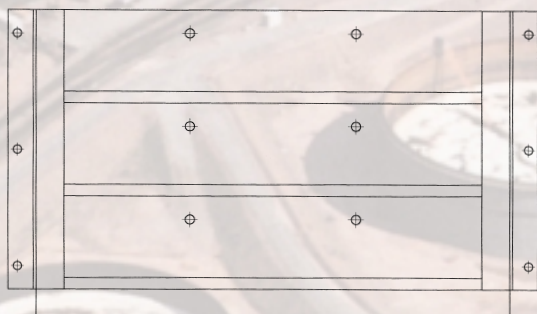
Series SL CHANNEL & WALL MOUNTED STOPLOGS

Upto 2000mm wide and 2000mm deep

The series SL is a high duty range of stoplogs suitable for the control and isolation of water and sewage. Stoplogs are ideal for temporary isolation and flow control of media in channels during maintenance and repair work.

Advantages

- Low friction seals reduce the removal effort required
- Available in corrosion resistant materials:
 - Long Life Performance
 - Low Maintenance Costs
 - No Protective Coatings Required
- Low leakage rates are comparable with more expensive penstock alternative for infrequent applications
- Compact design minimises rebates at sides and invert
- Flexible design and manufacturing methods provide several alternative options to conventional mounting of channel and wall type stoplogs
- Robust construction
- A cost effective solution for high duty applications



Functions

- Flood alleviation
- Maintenance of plant
- Flood diversion

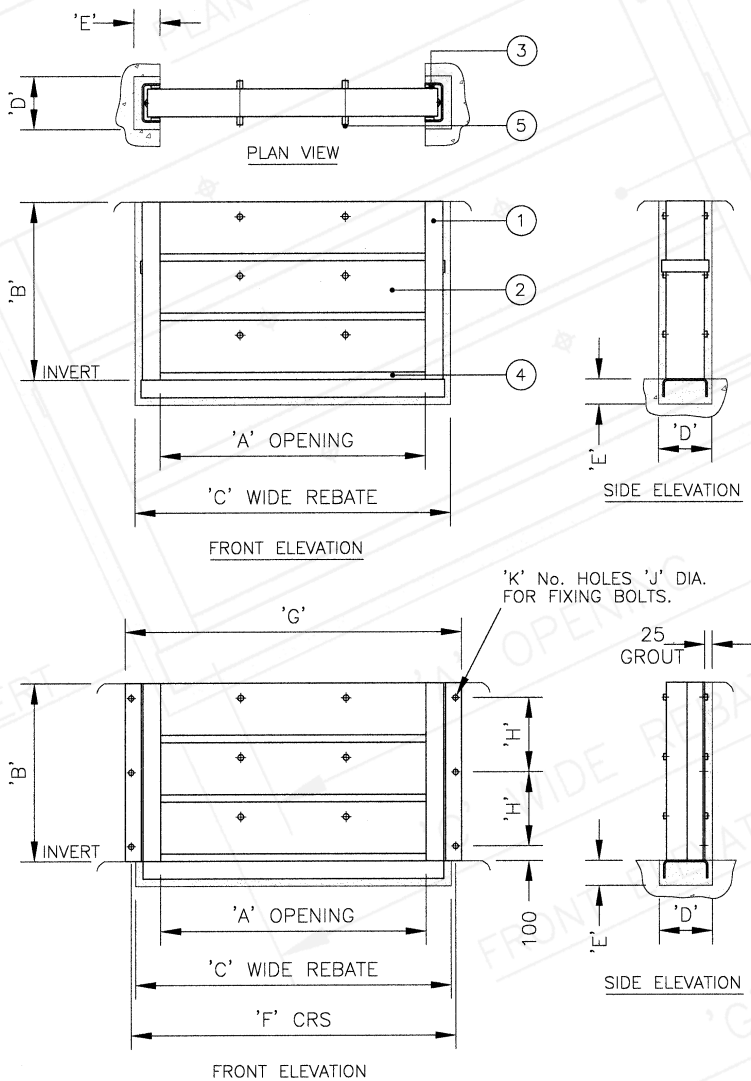
Features

- Suitable for flows in either direction
- Pressure sensitive intermediate lip seal design for effective inter-log sealing
- Extensive combination of wall and channel mounting configurations available
- All logs are supplied with lifting pins

Specifications

SERIES SL CHANNEL & WALL MOUNTED STOPLOGS

Size Range: Upto 2000mm wide and 2000mm deep



Operating Duty

Application:	Temporary isolation of media in channels during maintenance / repairs
Type of Mounting:	Channel rebates or wall
Type of Media:	Water and Sewage
Operating Head:	Up to top of log(s)
Direction of Flow:	On & Off-seat

Options

Mounting:	Side wall Mounted in channel
Size Range:	Any size from 1000mm to 2000mm in square or rectangular format
Operation:	Aluminium lifting pole or Galvanised mild steel lifting beam
Storage:	Racks for logs and lifting equipment

Construction Materials

ITEM	DESCRIPTION	MATERIAL
1	Frame	Mild Steel, BS 4360 Gr 43A Stainless Steel, BS 970 Gr 304 Stainless Steel, BS 970 Gr 316
2	Logs	Mild Steel, BS 4360 Gr 43A Stainless Steel, BS 970 Gr 304 Stainless Steel, BS 970 Gr 316 HMWP Aluminium Timber
3	Side Seals	Low Friction Polyolefin
4	Inter-log seals	Neoprene
5	Lifting Pins	Stainless Steel, BS 970 Gr 316

Dimensions and Weights

'A'	'B'	'C'	'D'	'E'	'F'	'G'	'H'	'J'	'K'	WEIGHT (KG)
1000	1000	1170	180	85	1184	1240	250	22	8	141
1100	1100	1270	180	85	1284	1340	283	22	8	158
1200	1200	1370	180	85	1384	1440	317	22	8	180
1300	1300	1470	180	85	1484	1540	350	22	8	198
1400	1400	1570	180	85	1584	1640	383	22	10	219
1500	1500	1670	180	85	1684	1740	313	22	10	238
1600	1600	1770	180	85	1784	1840	338	22	10	262
1700	1700	1870	180	85	1884	1940	363	22	10	290
1800	1800	1970	180	85	1984	2040	388	22	10	308
1900	1900	2070	180	85	2084	2140	413	22	10	329
2000	2000	2170	180	85	2184	2240	438	22	10	356

The above table illustrates a small section of the size range.
Any size between 1000mm and 2000mm is available on request.



SUPPLIERS OF PENSTOCKS TO THE WATER INDUSTRY

Midland Valves

42 Chaddesley Close | Lodge Park | Redditch | Worcestershire | B98 7ND
Tel: 01527 517542 | Fax: 01527 518087 | Email: mike@midlandvalves.fsnet.co.uk