



Technical catalogue

Flap valves

KRK / KPK series



*30 years
of experience in
watercontrol
engineering*

Flap valves summary

KWT **non return valves** are used to prevent backflow in sewer systems. KWT flap- and pump valves are made from durable HDPE (density 0,96); open/close is fixed by a bespoke balance weight. The EPDM lip seal is routed in at a 3° angle thus providing a perfect flat seal. All valves except KRK-R-O have an additional 15° valve angle that provides added sealing in static position and very low in-pipe water levels. HDPE flapvalves are light weight, easy to install and are very responsive and reliable. On-seat pressure is standard 5 MwC; higher pressures on request. Pump valves incorporate both a stroke limiter and an optional release valve in order to limit excess pressure at pump start-up and vacuum at pump shut down.

The valves also available in AISI Stainless steel on request, for the heavy duty jobs. All valves are adjustable to your specifications, but only on request.

KRK-R-O is a basic round on-wall flat mounted non return valve.

KRK-R-P can be attached to a PVC pipe of same diameter using a tube.

KRK-R-BS is a round valve which has a conically shaped tube that slides into the concrete or CMP (corrugated metal pipe) like Hel-Cor. The flange of the

KRK-R-F (with valve under 15° angle) can be fixed to a counter flange.

KRK-R-OH is a round valve with a square mounting plate and a 15° angle.

KRK-R-D is a round valve with a square mounting plate for steel pile sheets and a 15° angle.

KRK-RH-O is a rectangular non-return valve

KRK-RH-OH is a rectangular valve fitted with a tube at a 7.5° angle in order to retard opening.

KPK-R-F is a pump valve with flange connection and built under a 15° angle.

KPK-R-OH, same as the R-F but has a square wall plate.






KPK-R-F in HDPE



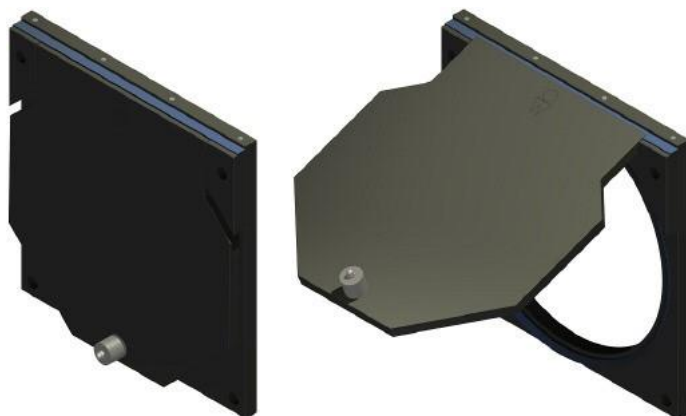
KPK-RVS-R-F
AISI304 or AISI316

Table of content

	Group code	Dicription	Product code
	101 102 103 104 105	<p><i>Non-return valve, round opening (HDPE)</i></p>	KRK-R-O KRK-R-P KRK-R-BS KRK-R-F KRK-R-OH KRK-R-D
	121 125	<p><i>Non-return valve, square opening (HDPE)</i></p>	KRK-RH-O KRK-RH-OH
	144 145	<p><i>Pump valve, round opening (HDPE)</i></p>	KPK-R-F KPK-R-OH

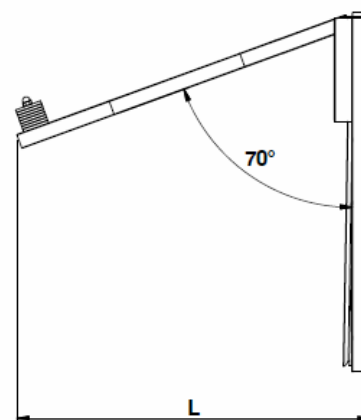
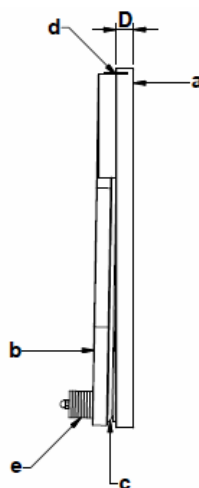
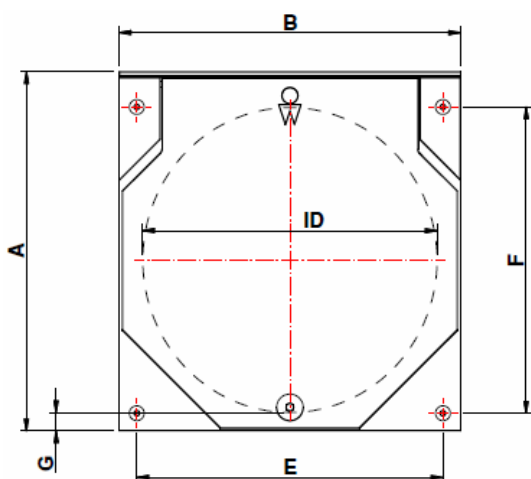
Non-return valve, round opening (HDPE)

**KRK-R-O
DN100-500**



880.101Z100-500

Fixingkit sold seperatly



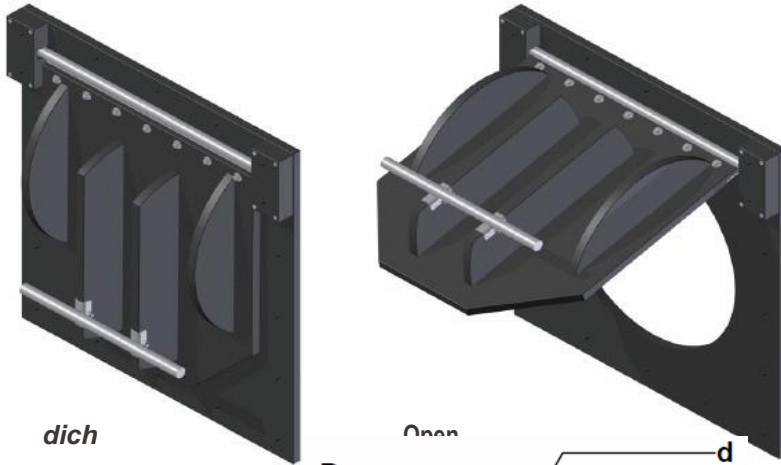
Verklaringen: p.01-13

Data (mm)

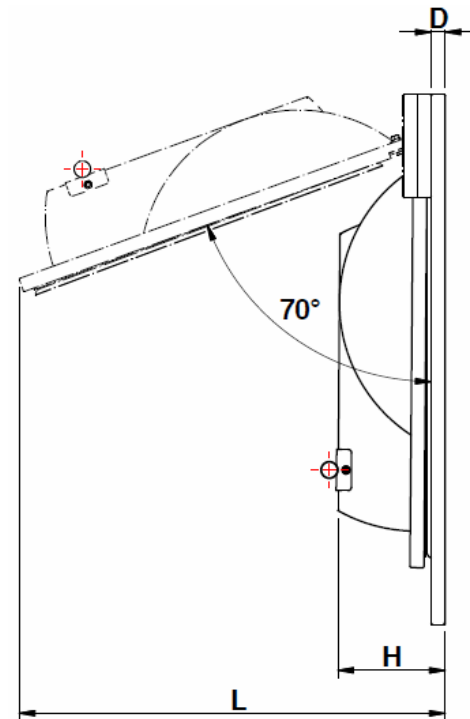
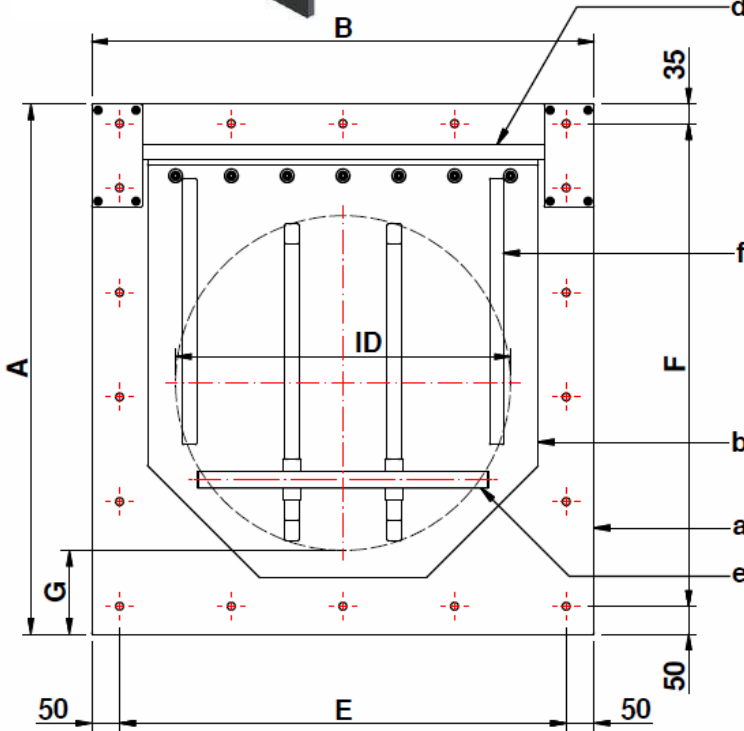
KWT item number	DN	ID Ø	A	B	D	E	F	G	L	KG	Hardware	Accessories
101Z0100	DN100	110	220	190	25	150	150	38	230	2	4 x M8	880.101Z0100
101Z0125	DN125	125	235	205	25	155	155	38	245	2	4 x M8	880.101Z0125
101Z0150	DN150	160	270	240	25	180	180	37	275	3	4 x M8	880.101Z0150
101Z0200	DN200	200	310	280	25	230	230	36	310	4	4 x M8	880.101Z0200
101Z0250	DN250	250	360	330	25	280	280	36	360	5	4 x M8	880.101Z0250
101Z0300	DN300	315	425	395	25	330	330	34	420	6	4 x M8	880.101Z0300
101Z0400	DN400	400	510	480	30	420	420	33	505	9	4 x M8	880.101Z0400
101Z0500	DN500	500	610	580	30	520	520	31	600	13	4 x M8	880.101Z0500

Non-return valve, round opening (HDPE)

KRK-R-O
DN600-1500



Fixingkit sold seperatly



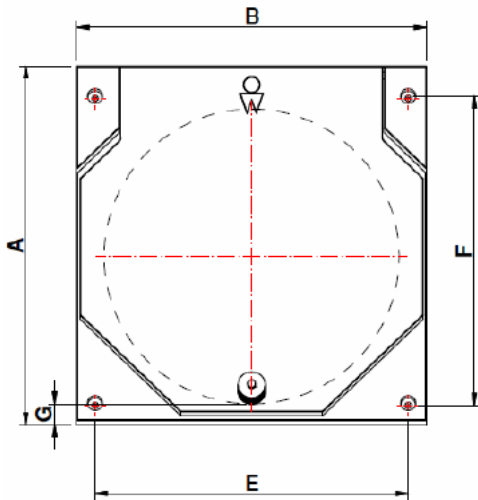
Verklaringen: p.01-13

Data (mm)

KWT item number	DN	IDØ	A	B	D	E	F	G	H	L	KG		
101Z0600	DN600	600	950	900	25	800	865	150	222	760	33	18 x M10	880.101Z0600
101Z0700	DN700	710	1050	1000	25	900	965	150	244	855	45	22 x M10	880.101Z0700
101Z0800	DN800	800	1150	1100	25	1000	1065	150	273	950	56	22 x M10	880.101Z0800
101Z0900	DN900	900	1250	1200	25	1100	1165	150	298	1030	69	26 x M10	880.101Z0900
101Z1000	DN1000	1000	1350	1300	25	1200	1265	150	292	1145	89	26 x M10	880.101Z1000
101Z1100	DN1100	1100	1450	1400	25	1300	1365	150	263	1230	105	30 x M10	880.101Z1100
101Z1200	DN1200	1200	1550	1500	25	1400	1465	150	346	1315	122	30 x M10	880.101Z1200
101Z1250	DN1250	1250	1600	1550	30	1450	1565	150	371	1365	132	33 x M10	880.101Z1250
101Z1500	DN1500	1500	1900	1800	30	1660	1760	150	391	1715	230	30 x M10	880.101Z1500

Non-return valve, round opening (HDPE) with connection pipe for use with sleeve

KRK-R-P
DN100-600

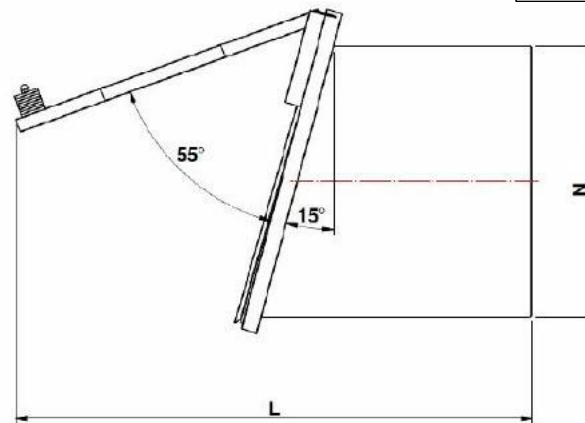
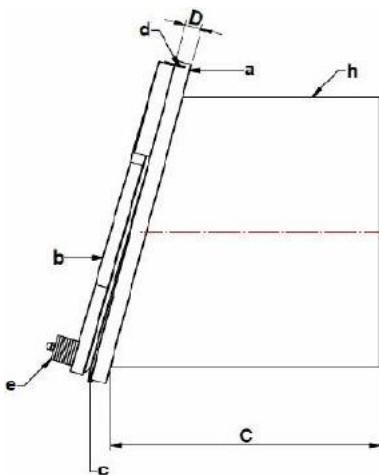


Dicht





Open

Connect with a sleeve (not included)



verklaringen: p.01-13

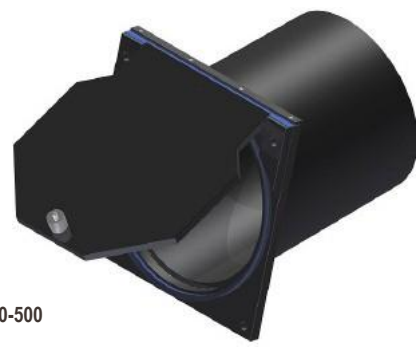
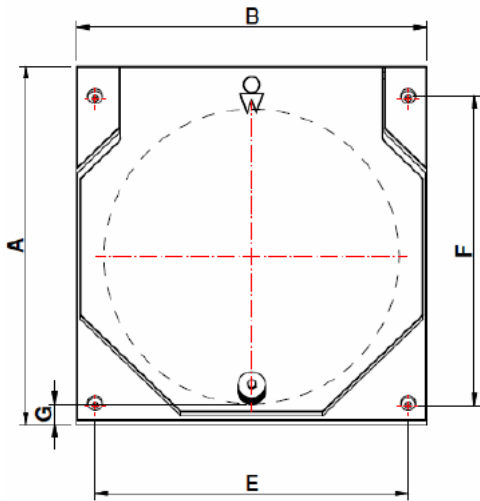
Data (mm)

KWT item nr	DN	∅	C	L	N		
102Z0100	DN100	97	150	350	110	SDR17	4
102Z0125	DN125	117	150	360	125	SDR33	4
102Z0150	DN150	150	150	385	160	SDR33	5
102Z0200	DN200	188	250	510	200	SDR33	6
102Z0250	DN250	235	250	540	250	SDR33	7
102Z0300	DN300	296	250	585	315	SDR33	8
102Z0400	DN400	375	300	700	400	SDR33	13
102Z0500	DN500	475	300	765	500	SDR33	17
102Z0600	DN600	599	450	1045	630	SDR41	38

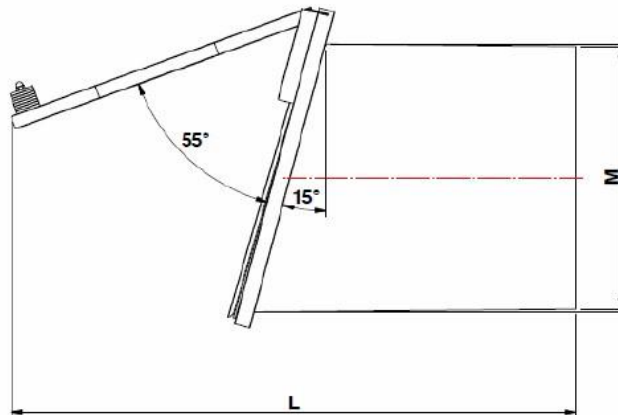
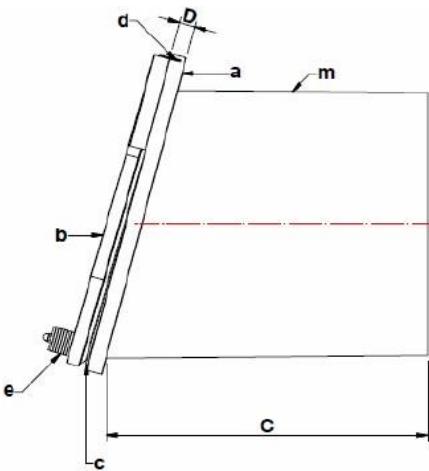
General sizes in the table of KRK-R-O

**Non-return valve, round opening (HDPE)
with connection pipe for direct fitting in
tubes**

**KRK-R-BS
DN300-1200**



DN 300-500



Data (mm)

KWT item number	DN	Ø	C	L	M	KG
103Z0300	DN300	271	250	835	290	10
103Z0400	DN400	366	250	900	390	16
103Z0500	DN500	459	250	965	490	22
103Z0600	DN600	559	638	1171	590	53
103Z0700	DN700	655	660	1262	690	70
103Z0800	DN800	751	850	1532	790	93
103Z0900	DN900	846	715	1445	890	103
103Z1000	DN1000	941	670	1465	990	123
103Z1200	DN1200	1154	700	1653	1190	179

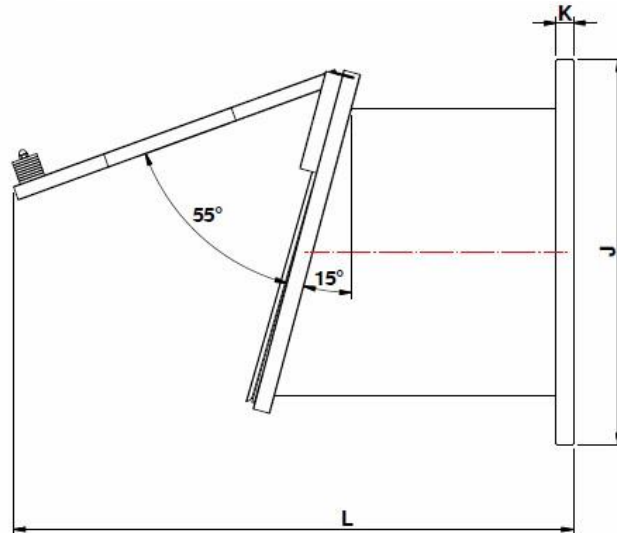
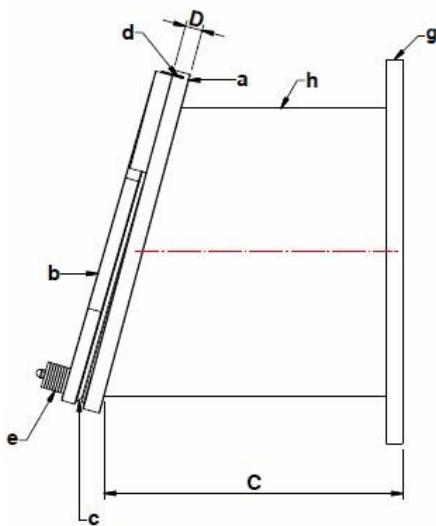
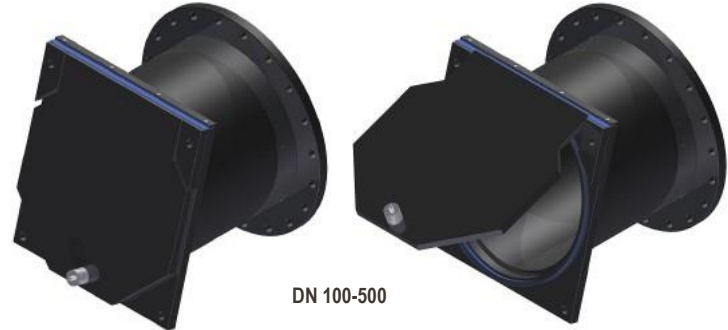
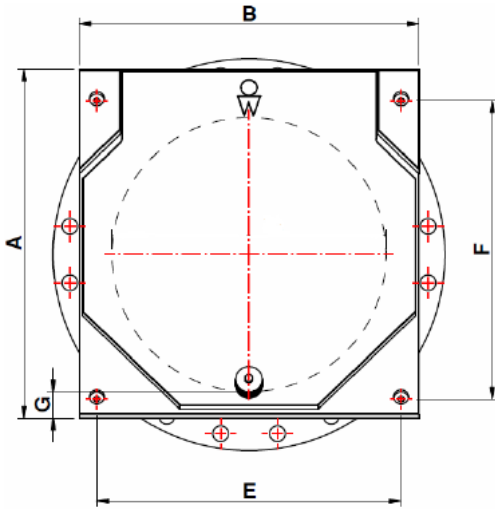


DN 600-1200

General sizes in the table of KRK-R-O

**Non-return valve, round opening
(HDPE) with flange**

**KRK-R-F
DN100-1000**



Data (mm)

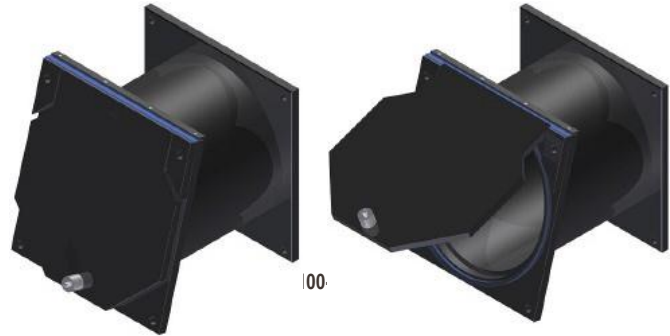
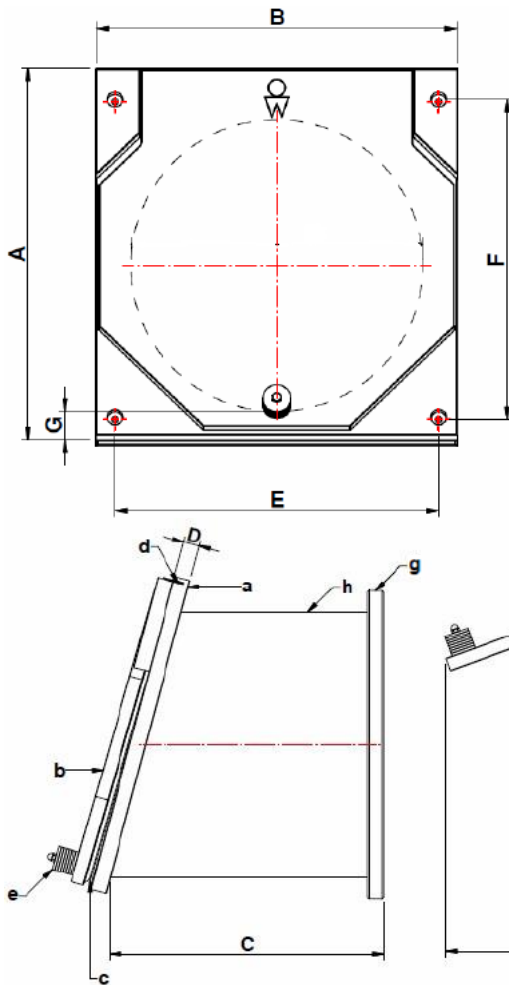
KWT item number	DN	∅	C	J PN10	K	L			
104Z0100	DN100	97	160	220	20	360	SDR17	8	5
104Z0125	DN125	117	160	220	20	370	SDR33	8	5
104Z0150	DN150	150	160	285	20	395	SDR33	8	5
104Z0200	DN200	187	265	340	30	525	SDR33	8	6
104Z0250	DN250	235	265	395	30	560	SDR33	12	8
104Z0300	DN300	296	265	445	30	600	SDR33	12	11
104Z0400	DN400	375	315	565	30	710	SDR33	16	18
104Z0500	DN500	475	315	670	30	780	SDR33	20	22
104Z0600	DN600	599	465	780	30	1038	SDR41	20	55
104Z0700	DN700	656	490	895	30	1133	SDR41	24	70
104Z0800	DN800	761	515	1015	30	1252	SDR41	24	87
104Z0900	DN900	856	615	1115	30	1543	SDR41	28	108
104Z1000	DN1000	951	676	1226	30	1456	SDR41	28	131

PN10 standard
PN16 on request



Non-return valve Round opening, HDPE, 15° Wall flange

**KRK-R-OH
DN100-500**



Data (mm)

KWT item nr	DN	∅	C	J	K	L		
105Z0100	DN100	97	160	190	20	360	SDR17	3
105Z0125	DN125	117	160	205	20	370	SDR33	3
105Z0150	DN150	150	160	240	20	395	SDR33	4
105Z0200	DN200	187	265	280	30	525	SDR33	6
105Z0250	DN250	235	265	330	30	560	SDR33	8
105Z0300	DN300	296	265	395	30	600	SDR33	10
105Z0400	DN400	375	315	480	30	710	SDR33	16
105Z0500	DN500	475	315	585	30	780	SDR33	22
105Z0600	DN600	599	480	950	30	1032	SDR41	61
105Z0700	DN700	675	505	985	30	1087	SDR41	78
105Z0800	DN800	761	525	1150	30	1247	SDR41	96
105Z0900	DN900	856	630	1260	30	1372	SDR41	119
105Z1000	DN1000	951	630	1350	30	1452	SDR41	147
105Z1100	DN1100	1164	630	1400	30	1519	SDR41	176
105Z1200	DN1200	1164	680	1530	30	1657	SDR41	205

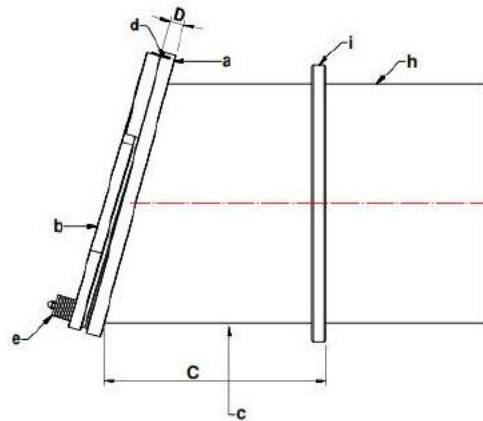
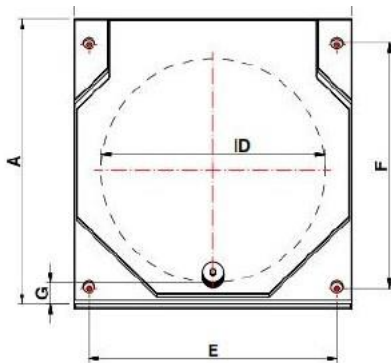
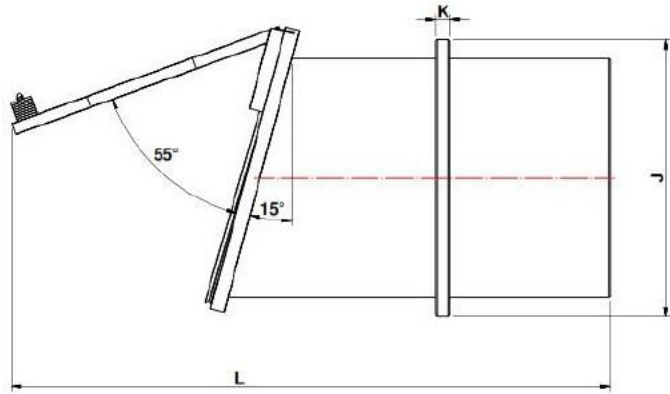
Fixingkit sold separatly





DN 600-1200

KRK-R-D

Non-return valve Round opening, HDPE, 15° flange for steel pile sheets



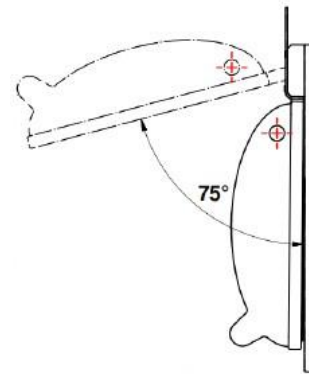
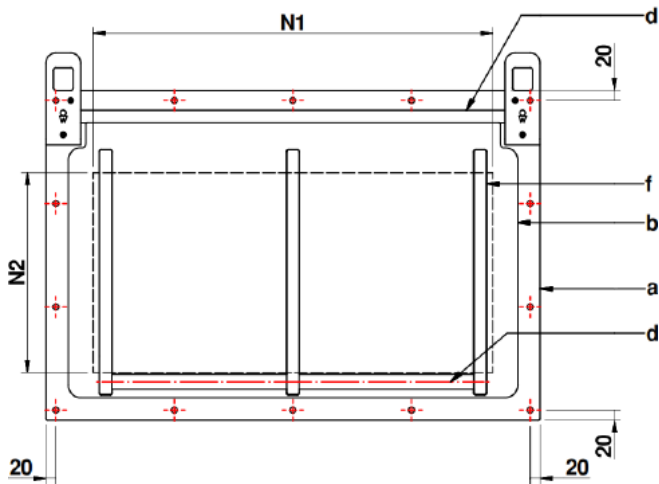
KWT item nr	DN	C	J	K	L		 KG
105Z0100	DN100	160	190	20		SDR17	3
105Z0125	DN125	160	205	20		SDR33	3
105Z0150	DN150	160	240	20		SDR33	4
105Z0200	DN200	265	280	30		SDR33	6
105Z0250	DN250	265	330	30		SDR33	8

Other specifications on request
L = on your request up to 500mm



**Non-return valve, square opening
(HDPE)**

**KRK-RH-O
200x200-2700x1000**



Closed



Open

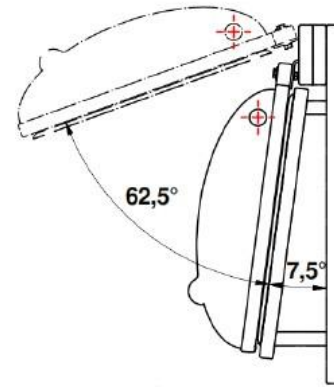
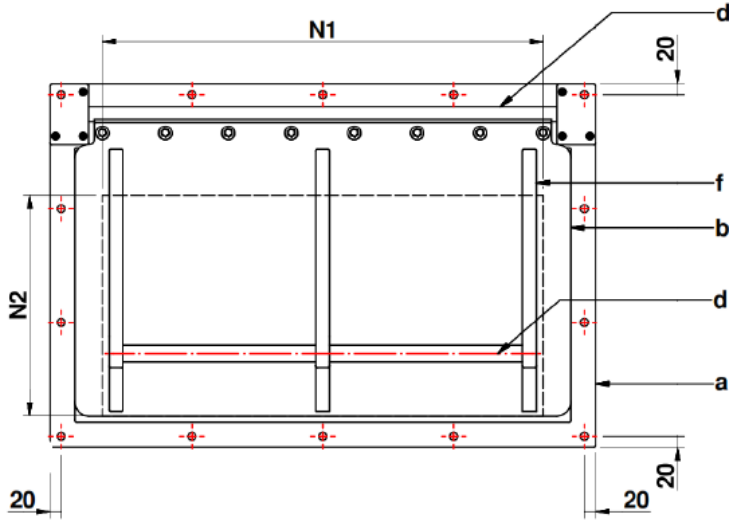
Available sizes in mm

← N1 → \ ↑ N2 ↓	200	300	400	500	600	700	800	900	1000
200	•								
400	•	•	•						
600	•	•	•	•	•				
800	•	•	•	•	•	•	•		
1000	•	•	•	•	•	•	•	•	•
1200	•	•	•	•	•	•	•	•	•
1400	•	•	•	•	•	•	•	•	•
1600	•	•	•	•	•	•	•	•	•
1800	•	•	•	•	•	•	•	•	•
2000	•	•	•	•	•	•	•	•	•
Up to 2700	•	•	•	•	•	•	•	•	•

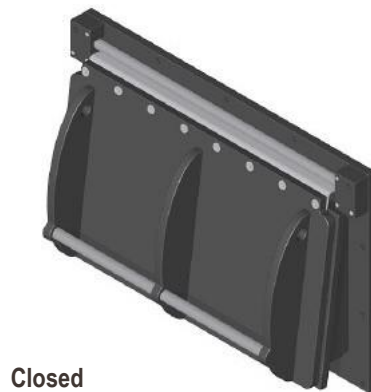
Fixinckit sold seperatlv

**Non-return valve, square opening
(HDPE) 7,5°-15° angle**

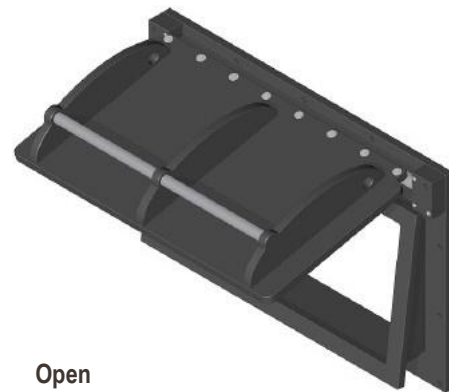
**KRK-RH-OH
200x200-2700x1000**



On request: 10° or 15°



Closed



Open

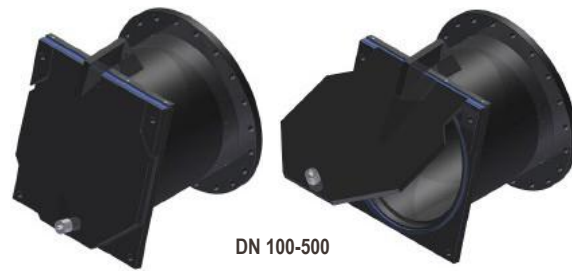
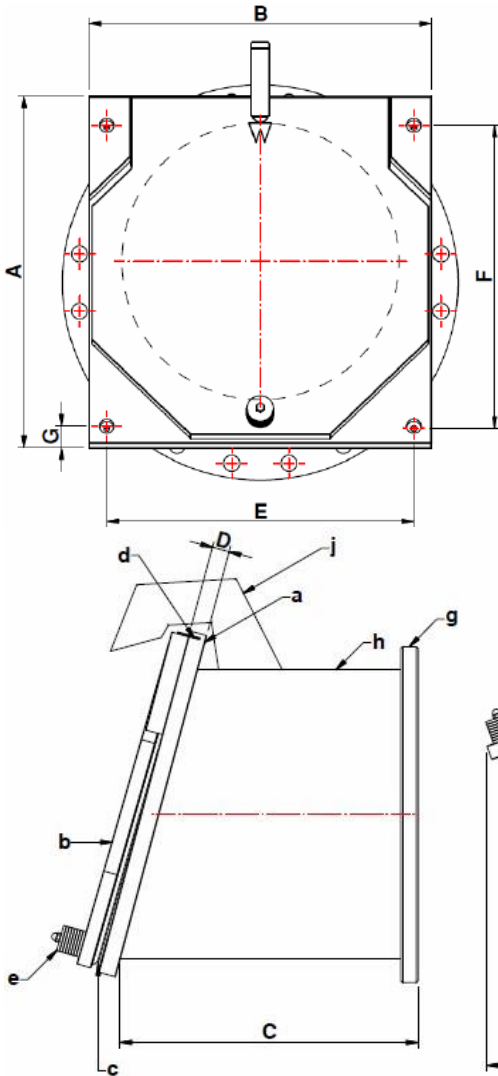
Available sizes in mm

$\leftarrow N1 \rightarrow$ $\updownarrow N2$	200	300	400	500	600	700	800	900	1000
200	•								
400	•	•	•						
600	•	•	•	•	•				
800	•	•	•	•	•	•	•		
1000	•	•	•	•	•	•	•	•	•
1200	•	•	•	•	•	•	•	•	•
1400	•	•	•	•	•	•	•	•	•
1600	•	•	•	•	•	•	•	•	•
1800	•	•	•	•	•	•	•	•	•
2000	•	•	•	•	•	•	•	•	•
2700	•	•	•	•	•	•	•	•	•

Fixingkit sold seperatly

Pump valve - connection with flange

KPK-R-F
DN100-500



DN 100-500

KWT item nr	DN	∅	C	J PN10	K	L	→ ←	↺ ↻	↻ ↺	KG
144Z0100	DN100	97	160	220	20	360	SDR17	8	M16	6
144Z0125	DN125	117	160	220	20	370	SDR33	8	M16	6
144Z0150	DN150	150	160	285	20	395	SDR33	8	M20	6
144Z0200	DN200	187	265	340	30	525	SDR33	8	M20	7
144Z0250	DN250	235	265	395	30	560	SDR33	12	M20	9
144Z0300	DN300	296	265	445	30	600	SDR33	12	M20	12
144Z0400	DN400	375	315	565	30	710	SDR33	16	M24	19
144Z0500	DN500	475	315	670	30	780	SDR33	20	M24	23

PN 10 standard
PN 16 on request

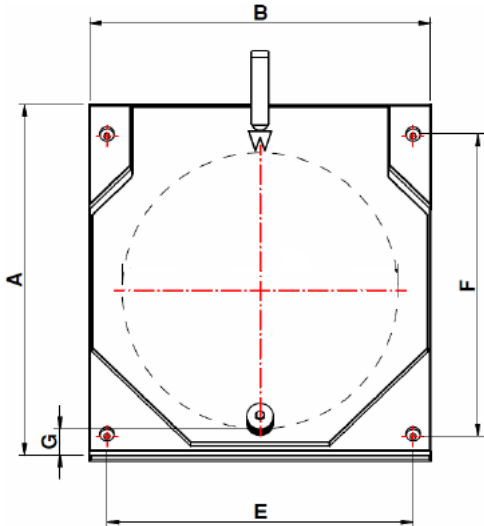


DN > 500

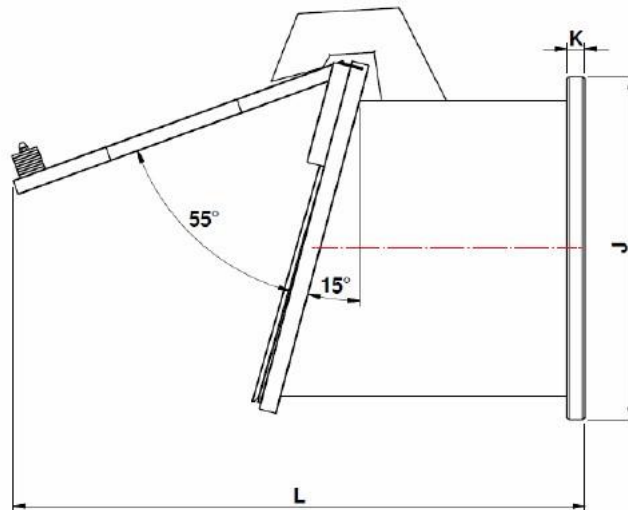
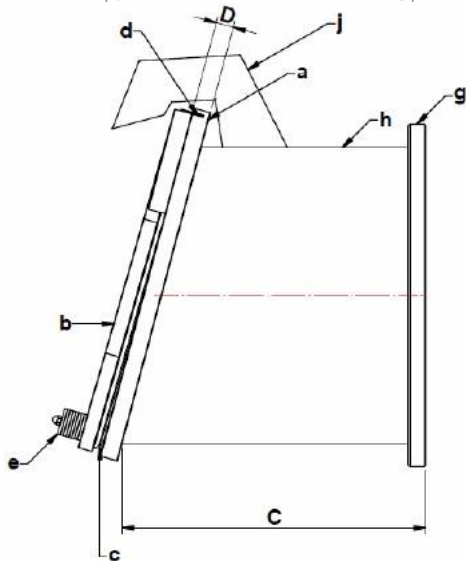
**Pump valve
wallflange**

KPK-R-OH

DN100-500



DN 100-500



Data (mm)

KWT item nr	DN	Ø	C	J	K	L		
145Z0100	DN100	97	160	190	20	360	SDR17	4
145Z0125	DN125	117	160	205	20	370	SDR33	4
145Z0150	DN150	150	160	240	20	395	SDR33	5
145Z0200	DN200	187	265	280	30	525	SDR33	7
145Z0250	DN250	235	265	330	30	560	SDR33	9
145Z0300	DN300	296	265	395	30	600	SDR33	11
145Z0400	DN400	375	315	480	30	710	SDR33	17
145Z0500	DN500	475	315	585	30	780	SDR33	23

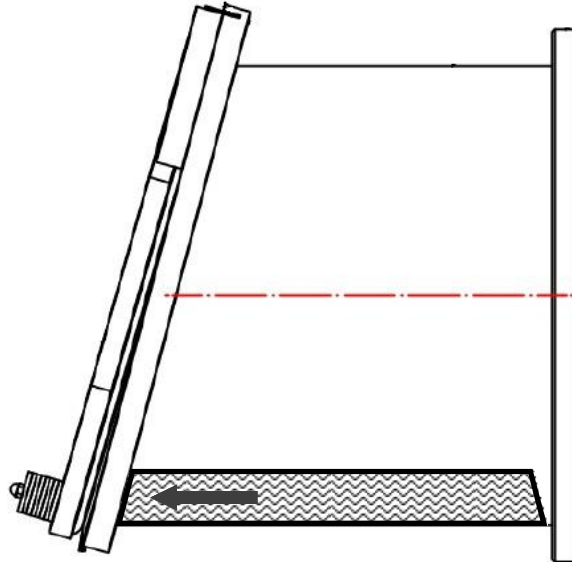
Montage toebehoren standaard :
chemische ankers & afdichtmateriaal
Op verzoek mechanische ankers

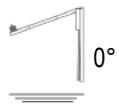



Other sizes on request – up to Ø2.000 mm



DN 600-1500

Openingspressure above and under the waterline, at different angle's.



DN	0°		15°	
				
100	15 mm	5 mm	30 mm	15 mm
125	15 mm	5 mm	30 mm	15 mm
150	20 mm	10 mm	40 mm	20 mm
200	20 mm	10 mm	40 mm	20 mm
250	25 mm	15 mm	50 mm	20 mm
300	30 mm	20 mm	55 mm	30 mm
400	45 mm	20 mm	60 mm	30 mm
500	52 mm	28 mm	100 mm	39 mm
600	110 mm	42 mm	140 mm	57 mm
700	120 mm	45 mm	146 mm	61 mm
800	130 mm	47 mm	155 mm	64 mm
900	130 mm	50 mm	166 mm	68 mm
1000	140 mm	53 mm	172 mm	72 mm
1200	155 mm	57 mm	180 mm	77 mm
1250	160 mm	60 mm	193 mm	81 mm
1500	180 mm	62 mm	206 mm	86 mm

1000 mm = 1 MwC = 0,1 bar



- Flapvalves
- Penstocks
- Overflow weirs
- Tilting weirs
- Fishpassings
- Sluise gates